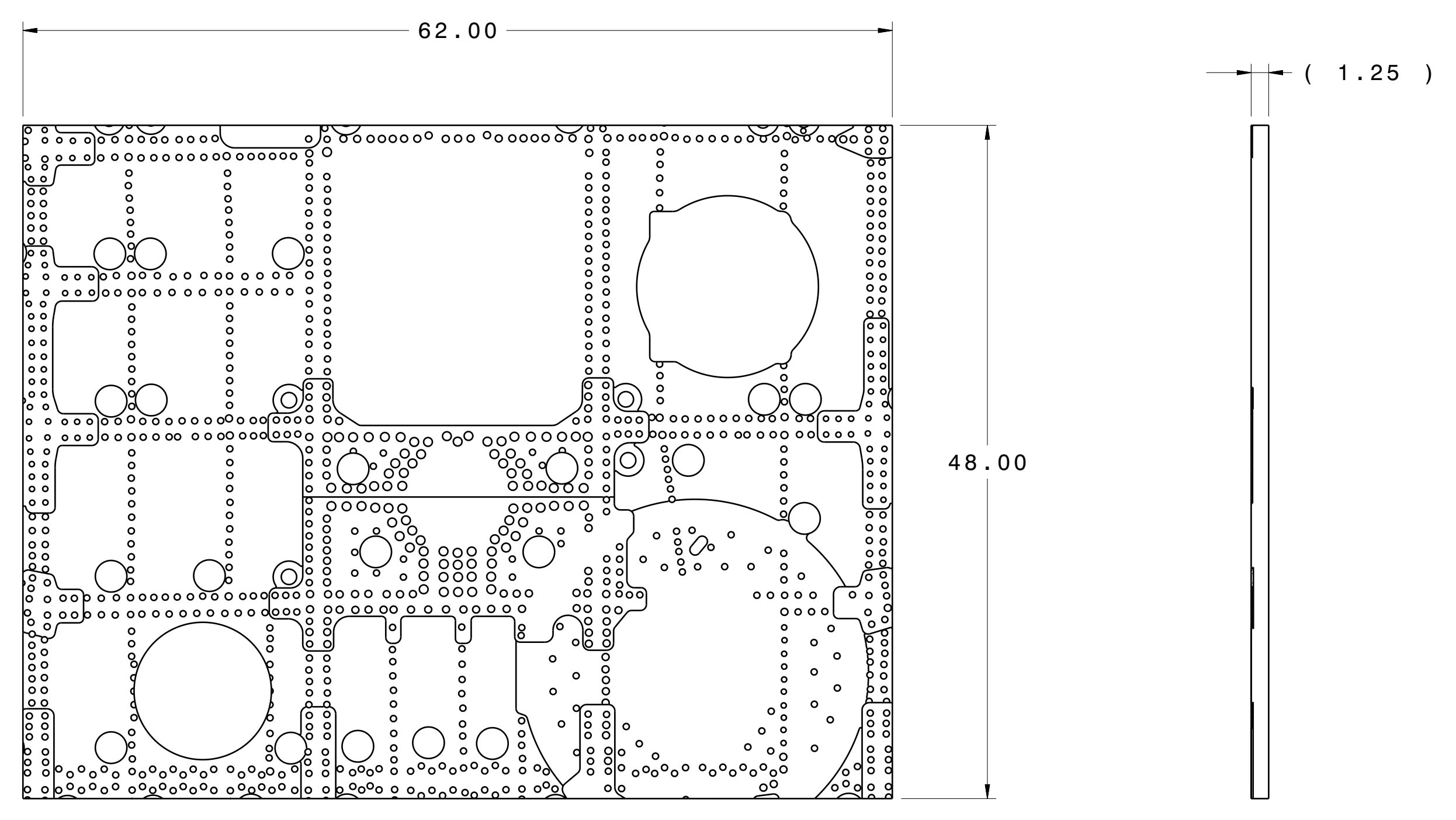
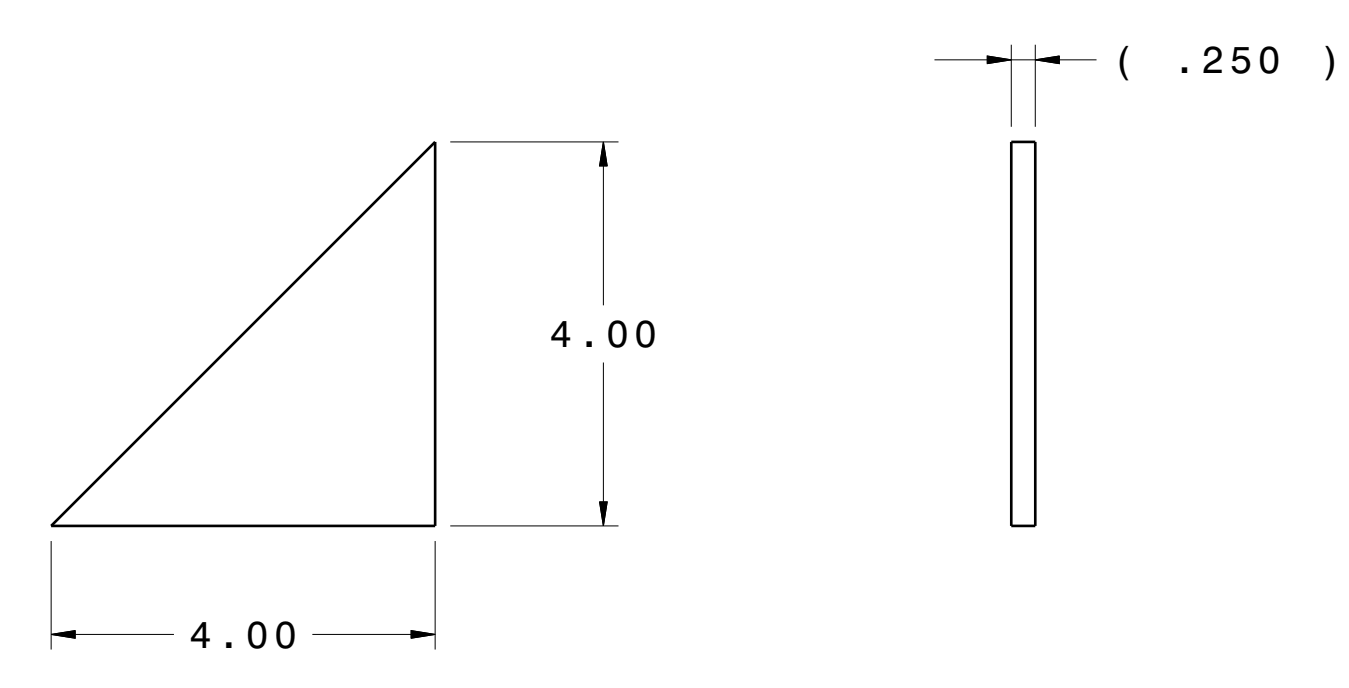


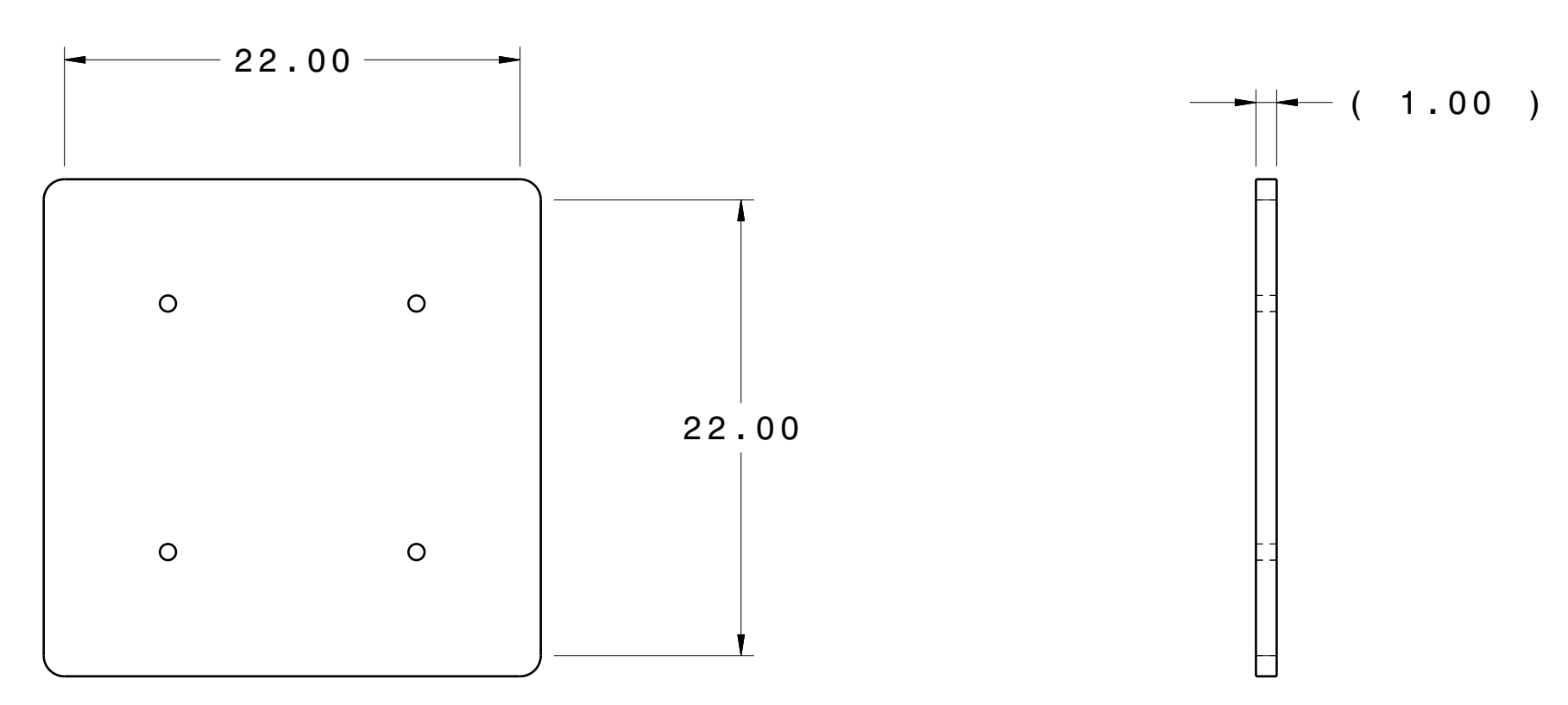
REVISION HISTORY			
ZONE	REV	DESCRIPTION	APPROVED



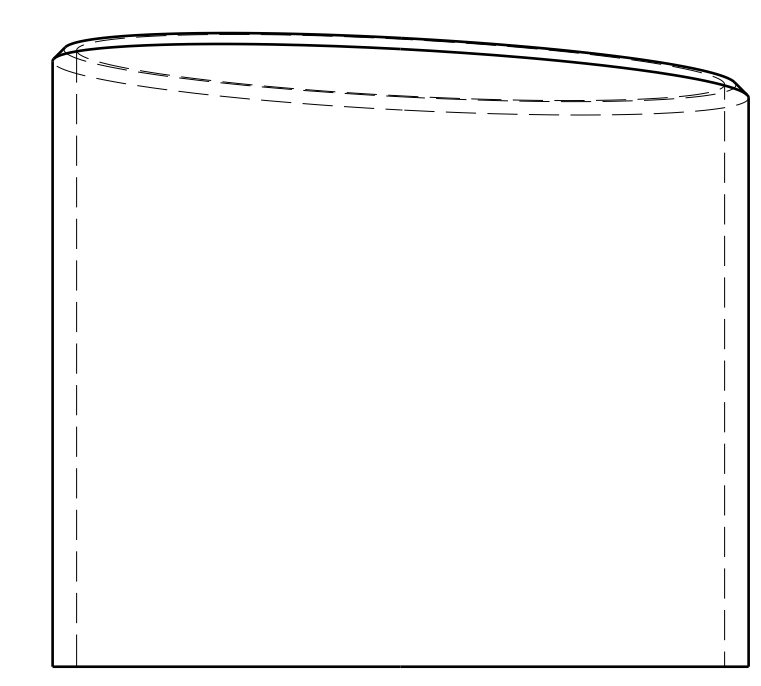
22E2946-6 UPPER PLATE
SCALE: 1:8



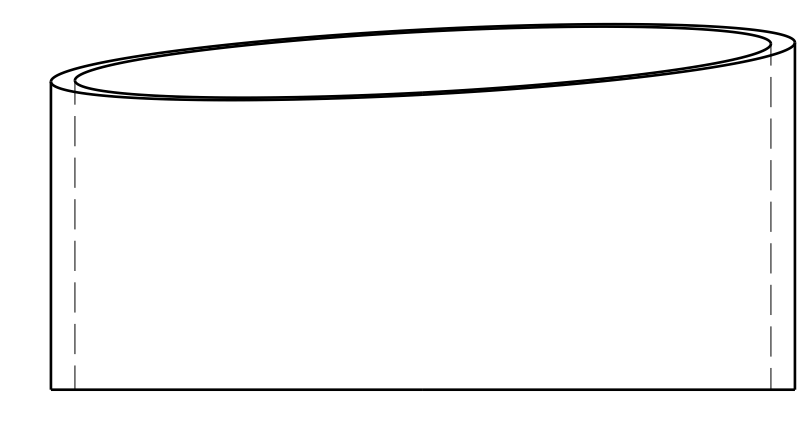
22E2946-7 GUSSET
Scale: 1:2



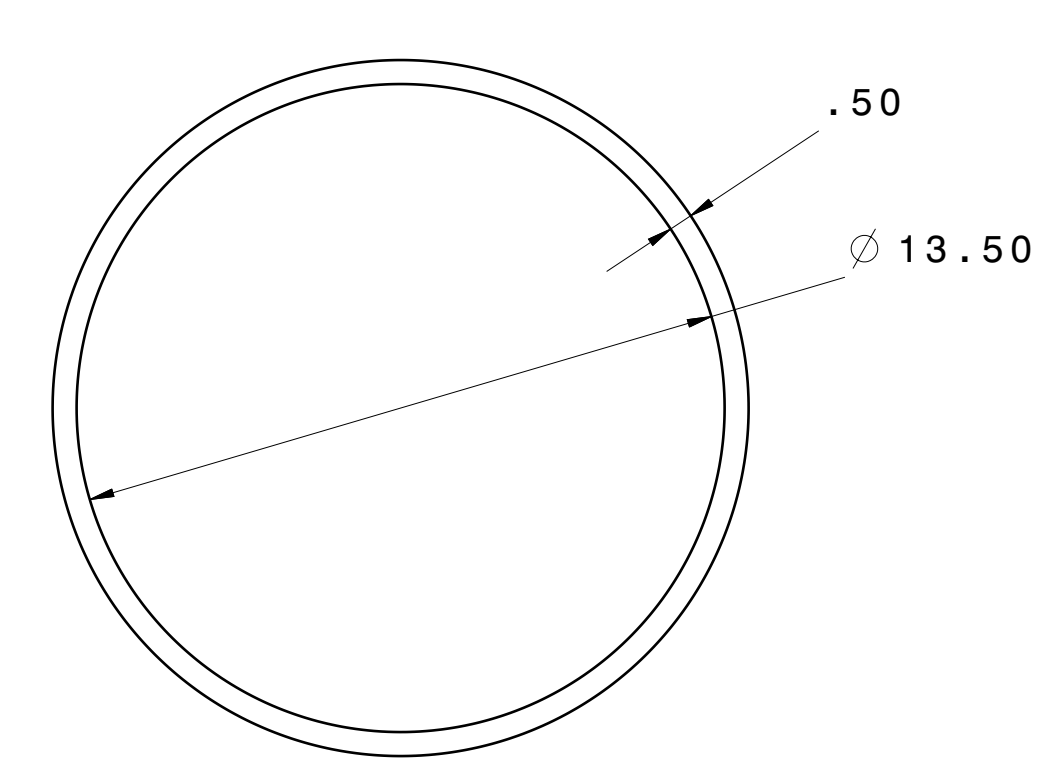
22E2946-4 LOWER PLATE
SCALE 1:8



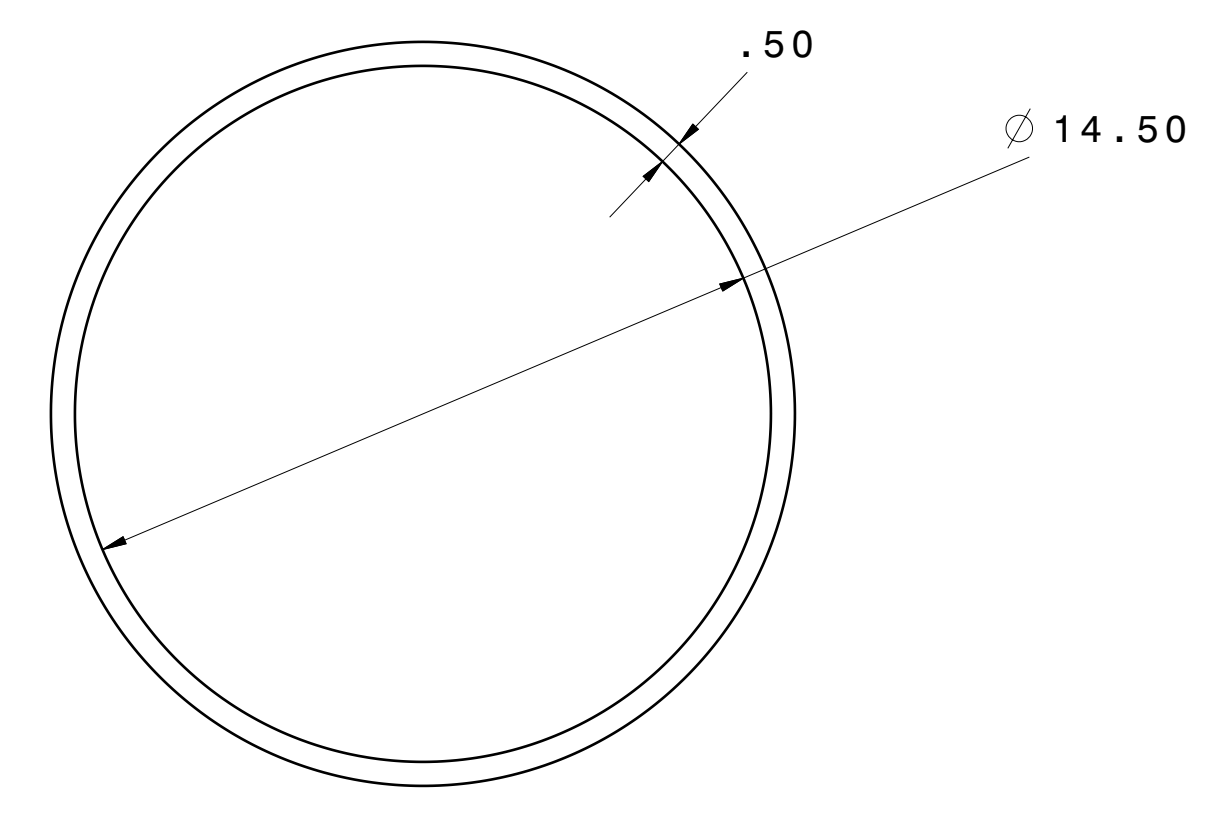
22E2946-3 LOWER TUBE
Scale: 1:4



22E2946-5 UPPER TUBE
Scale: 1:4



Bottom view
Scale: 1:4



DRAFT DRAWING
DATED 08/15/2023

SEE SHEET 1 FOR NOTES AND PARTS LIST

DISTRIBUTION STATEMENT D - DISTRIBUTION AUTHORIZED TO DEPARTMENT OF DEFENSE AND U.S. DOD CONTRACTORS ONLY DUE TO CRITICAL TECHNOLOGY, DETERMINED ON 16 JUNE, 2015. OTHER REQUESTS FOR THIS DOCUMENT SHALL BE REFERRED TO COMMANDING OFFICER, FLEET READINESS CENTER EAST MARINE CORE AIR STATION, CHERRY POINT, NC 28533

DRAWN	CHECKED	ENGINEER	SIZE	DATE	DWG NO.	REV
			E	96916	22E2946	
			SCALE	REF	SHEET	2

DWG NO. 22E2946

REV -